



---

# 68273 - SUSZARKA SPOŻYWCZA 9 SIT, 600-700W

---

CZĘŚCI ZAMIENNE



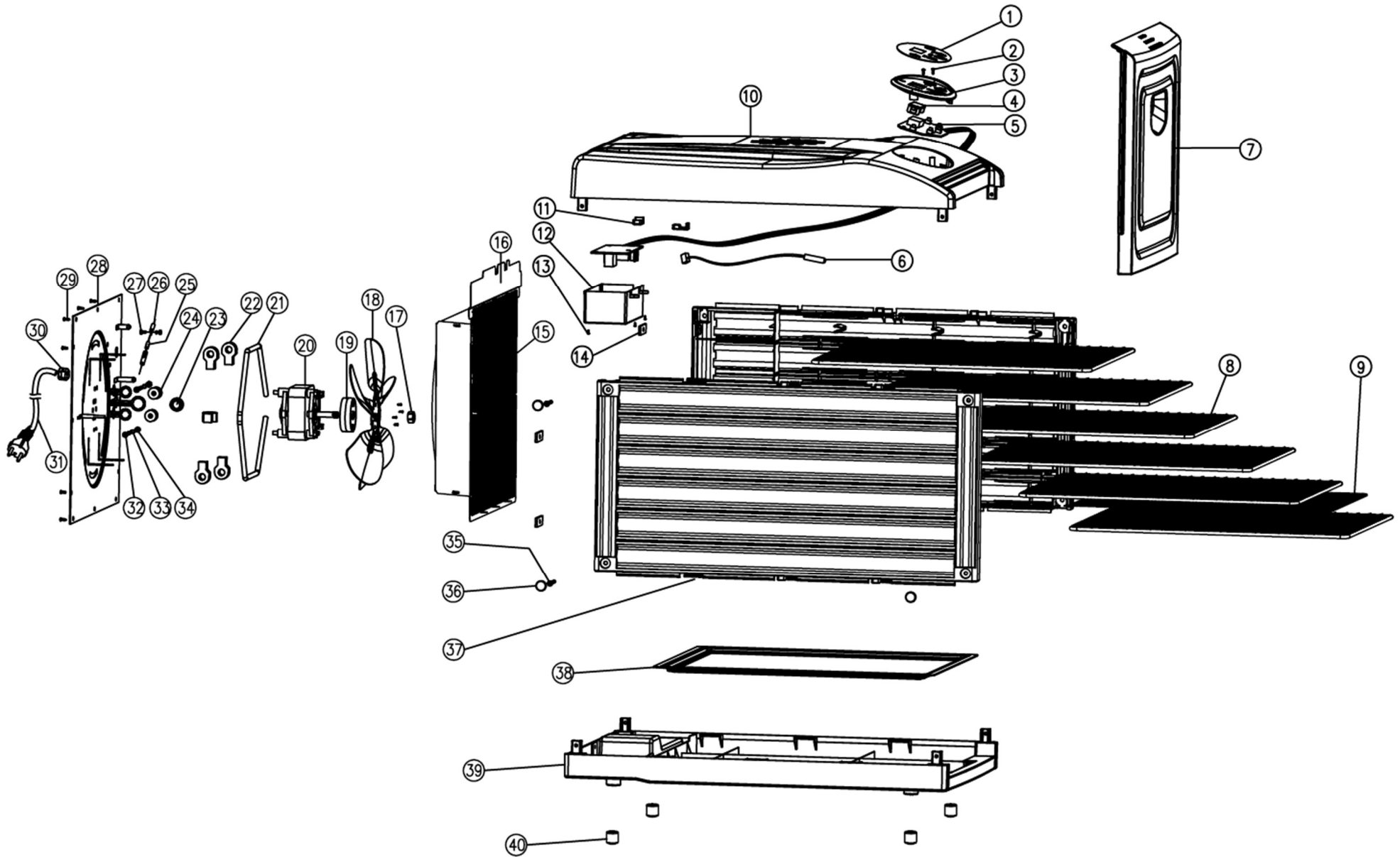
**TOYA S.A.**

AKTUALIZACJA: 2 PAŹDZIERNIKA 2019

---

W wyniku ciągłego rozwoju produktów, **TOYA S.A.** zastrzega sobie prawo do dokonywania zmian konstrukcyjnych i technologicznych w produkcie bez uprzedniego informowania.

Rysunek złożeniowy





## Lista części zamiennych

| NO. | NR SAP    | NAME                  | NAZWA               |
|-----|-----------|-----------------------|---------------------|
| 1   | Z68273-01 | SCUTCHEON             |                     |
| 2   | Z68273-02 | SCREW                 |                     |
| 3   | Z68273-03 | DECORATIVE COVER      |                     |
| 4   | Z68273-04 | SCREEN COVER          |                     |
| 5   | Z68273-05 | ELECTRONIC BOARD      | PCB                 |
| 6   | Z68273-06 | THERMISTOR            | CZUJNIK TEMPERATURY |
| 7   | Z68273-07 | DAMPED DOOR           |                     |
| 8   | Z68273-08 | TRAY                  | TACA                |
| 9   | Z68273-09 | STRUCTUREMESH         |                     |
| 10  | Z68273-10 | COVER                 |                     |
| 11  | Z68273-11 | WIRE-PRESSED SLICE    |                     |
| 12  | Z68273-12 | ELECTRONIC BOARD BOX  |                     |
| 13  | Z68273-13 | SCREW                 |                     |
| 14  | Z68273-14 | SQUARE NUT            |                     |
| 15  | Z68273-15 | WIRE NETTING          |                     |
| 16  | Z68273-16 | PROTECTIVE HOUSING    |                     |
| 17  | Z68273-17 | NUT                   |                     |
| 18  | Z68273-18 | RADIATOR FUN          |                     |
| 19  | Z68273-19 | SUPPORT RING          |                     |
| 20  | Z68273-20 | MOTOR                 | SILNIK              |
| 21  | Z68273-21 | HEATING ELEMENT       | GRZAŁKA             |
| 22  | Z68273-22 | CERAMIC CARRIER       |                     |
| 23  | Z68273-23 | PROTECTIVE RING       |                     |
| 24  | Z68273-24 | CERAMIC RING          |                     |
| 25  | Z68273-25 | THERMAL LINK          | TERMIK 113stC/10A   |
| 26  | Z68273-26 | FUSE STATOR           |                     |
| 27  | Z68273-27 | SCREW                 |                     |
| 28  | Z68273-28 | BACK VENEER           |                     |
| 29  | Z68273-29 | SCREW                 |                     |
| 30  | Z68273-30 | STRAIN RELIFE BUSHING |                     |
| 31  | Z68273-31 | POWER CORD            |                     |
| 32  | Z68273-32 | SCREW                 |                     |
| 33  | Z68273-33 | WASHER                |                     |
| 34  | Z68273-34 | NUT                   |                     |
| 35  | Z68273-35 | SCREW                 |                     |
| 36  | Z68273-36 | SCREW COVER           |                     |
| 37  | Z68273-37 | SIDE BOARD            |                     |
| 38  | Z68273-38 | SLAG PANS             |                     |
| 39  | Z68273-39 | BOTTOM PLATE          |                     |
| 40  | Z68273-40 | RUBBER FEET           |                     |